

SCANDI 480

Model 92640

ASSEMBLY INSTRUCTIONS



Specifications

The RV Shelter is a heavy duty protective cover with UV protection, double stitched and white in color to resist the heat in the summer. The tubing is powder coated for rust resistance. The zipper door flap allows for easy access.

Materials	Steel Tubing- Powder Coated Frame
Shelter Cover	305 MG Heavy Duty Protection Cover–UV Protection
Outside Dimensions	39'10" L x 16' W x 14'5" H
Anchors	Easy Hook Anchor

Save This Manual

You will need the manual for the safety warnings and precautions, assembly instructions, operating and maintenance procedures, parts list and diagram. Keep your invoice with this manual. Write the invoice number on the inside of the front cover. Keep the manual and invoice in a safe and dry place for future reference.

Safety Warnings and Precautions

WARNING: When using product, basic safety precautions should always be followed to reduce the risk of personal injury and damage to equipment.

Read all instructions before using this product!

1. **Keep work area clean.** Cluttered areas invite injuries.
2. **Observe work area conditions.** Keep work area well lit. Avoid sharp edges when assembling. Assemble on a flat and leveled area.
3. **Check for damaged parts.** Before using any product, any part that appears damaged should be carefully checked to determine that it will perform its intended function. Check for any broken or damaged parts and any other conditions that may affect its operation. Replace or repair damaged or worn parts immediately. Check that any of the components are not cracked or have splits that could affect the function and performance.
4. **Replacement parts and accessories.** When servicing, use only identical replacement parts. Use of any other parts will void the warranty.
5. **Always check hardware and assembled parts after assembling.** All connections should be tight and hardware tightened.
6. **Keep children away.** Children must never be allowed in the work area. Do not let them play in or around the RV Shelter.

7. **Dress Properly.** Protective non skid footwear are recommended when setting up the RV Shelter. Wear restrictive hair covering to contain long hair.
8. **Use eye protection.** Always wear ANSI approved impact safety goggles when setting up this product.
9. **Do not overreach.** Keep proper footing and balance at all times.
10. **Do not try moving assembled RV Shelter.** Do not lift the RV Shelter. Six or more people are needed to assemble.
11. **Do not allow children to play** around RV Shelter. Do not place anything on top of RV Shelter.
12. **Avoid harsh conditions.** The RV Shelter could topple in strong winds causing damage to property and personal property. Disassemble if weather conditions become severe and could damage the RV Shelter.
13. **You will need to remove the cover** when you know that severe weather conditions are approaching. And if covered, frequently check the anchoring system to insure stability of the RV Shelter. Proper anchoring is your responsibility.

Warning: The warnings, cautions, and instructions discussed in this instruction manual cannot cover all possible conditions and situations that may occur. It must be understood by the operator that common sense and caution are factors which cannot be built into this product, but must be supplied by the operator.

Unpacking

When unpacking the RV Shelter, check to make sure that all parts are included as shown in the parts list.

ASSEMBLY

Note: For simplicity, many of the parts in these instructions are referred to by their part number in parenthesis.

For example: “**Foot (5)**” is the same as “**(5)**”

Refer to the **Parts List on page 14** for part number definitions.

Assembling the Frame

Assemble the End Bows and the Middle Bows as shown in **Figure 1**. Parts are attached using a 3” Bolt (14) and Nut (16) at each junction - see **End and Middle Bows**, below.

Note: The two End Bows are the only ones with Corner Feet (4).

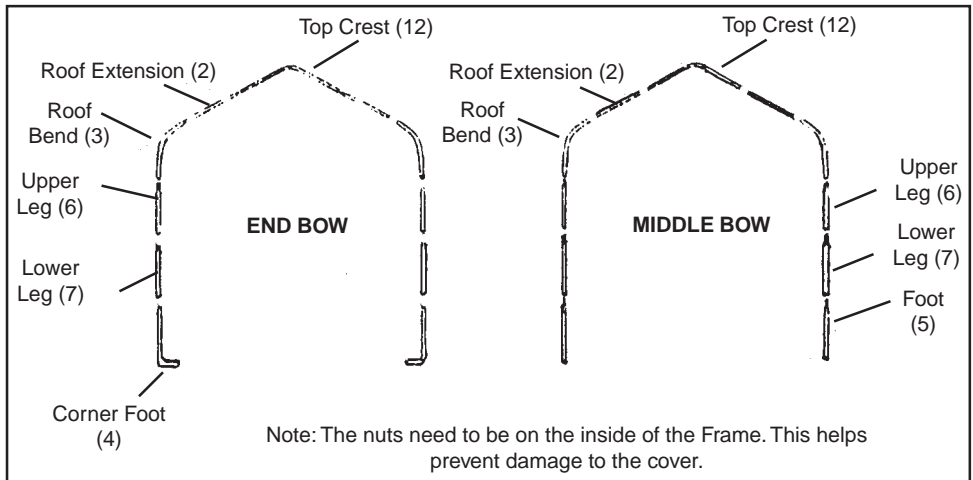


Figure 1

End Bows

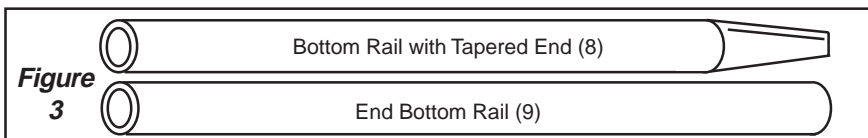
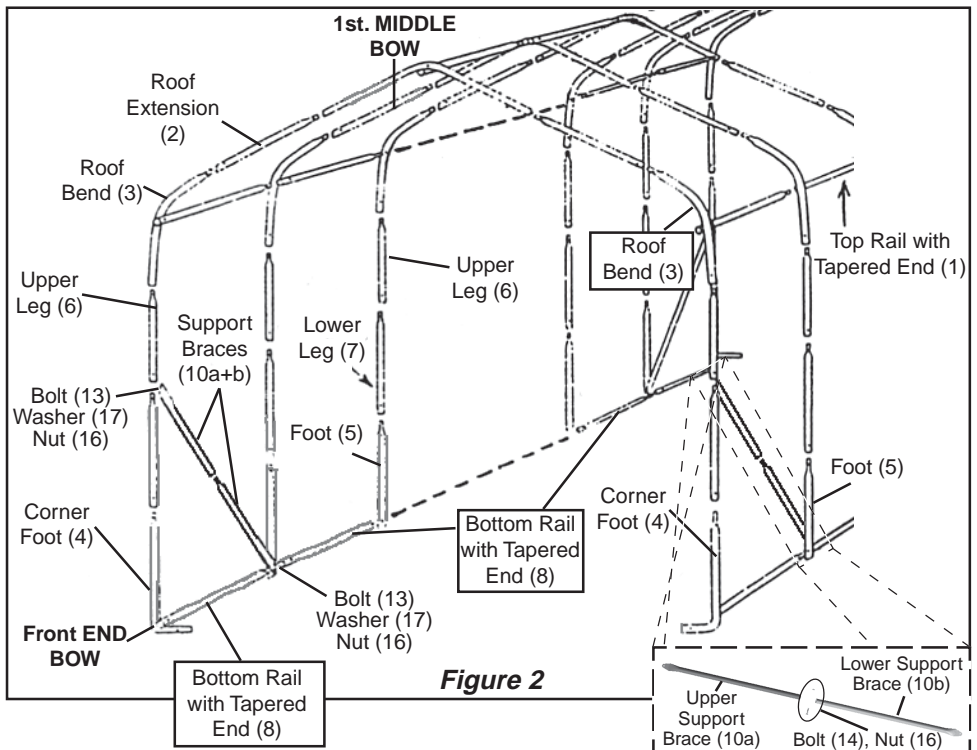
Starting with two Corner Feet (4) (left side and right side) for each end, work your way up bolting connections together. Connect the Lower and Upper Legs (7,6), Roof Bend (3), and Roof Extension (2). Complete the End Bows (qty. 2) by connecting the left and right sides with (12). **See Figure 1.**

Middle Bows

The middle bows have the same procedure as above, except the lowest pieces are the Feet (5). **See Figure 1.**

Connecting the Front End Bow to the Middle Bow

1. At what will be the front of the RV Shelter, attach (10a+b) to the END BOW (center). Use Bolts (13), Washer (17), and Nuts (16). Repeat on the opposite side. Do not completely tighten at this time because minor frame adjustments will be done later. Insert the tapered end of each (10b) into the end of each (10a), secure with Nut (14) and Bolt (16).
2. At the base of that same End Bow, attach (8) to the base of (4). Swing the end of (10a+b) over to the connection of (5) and the end of (8). The tapered end of each (8) fits into the next (8). Use Bolts (13), Washers (17), and Nuts (16) for this end of (10a+b) also. Do not completely tighten at this time because minor frame adjustments will be done later. Repeat these steps on the opposite end of the End Bow. Continue assembling (8) between all of Middle Bows until the final Middle Bow, using hardware listed below. **See Figures 2 & 3. BOLT ALL CONNECTIONS WITH BOLTS (14) AND NUTS (16) UNLESS OTHERWISE INDICATED. ALL NUTS NEED TO BE ON THE INSIDE OF THE FRAME.**



The Back End Bow

1. At the base of the back End Bow, fit (9) to (4). Attach (10a+b) to the center of the last End Bow. Use Bolts (13), Washer (17), and Nuts (16). Repeat on the other side of the End Bow. Do not completely tighten at this time because minor frame adjustments will be done later.
2. At the base of the first Bow in from the end, attach (9) to the base of (5). Swing the end of (10a+b) over to the connection of (5) and the end of (8). The tapered end of (8) fits into (9). Use Bolts (13), Washers (17), and Nuts (16). Do not completely tighten at this time because minor frame adjustments will be done later. Repeat these steps on the opposite end of the End Bow. Continue assembling (8) between all of Middle Bows until the final Middle Bow, using the hardware (14), (16). **See Figure 4.**

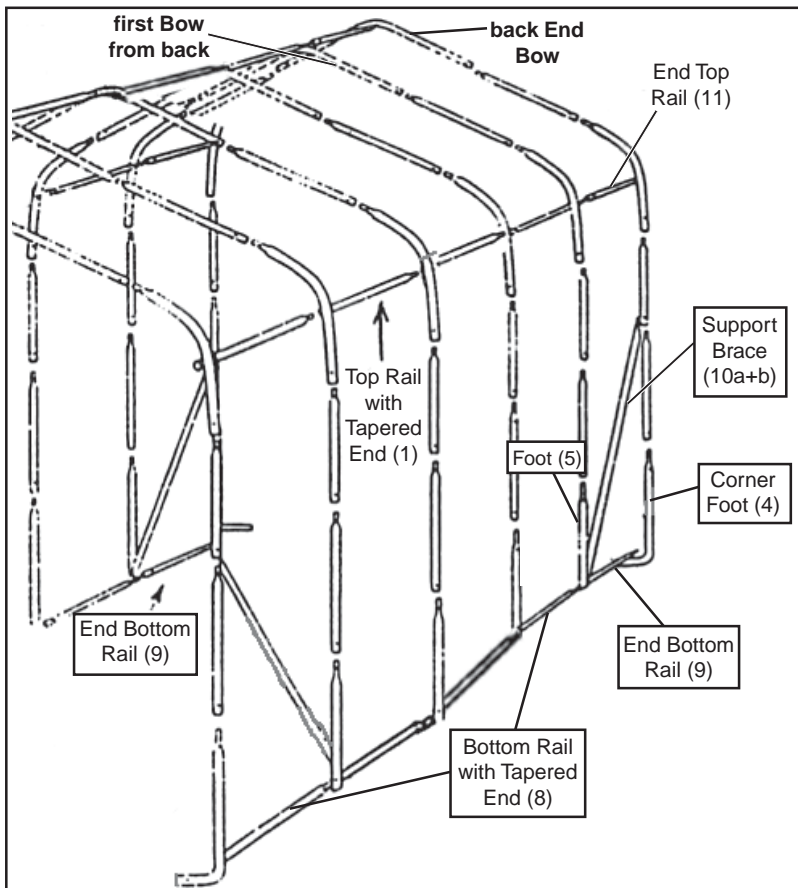


Figure 4

Top Rails

1. Start at one side of the back End Bow along the curvature of (3). (11) attaches to (3) on the inside of this curve. Insert (1) inside (11) and attach to the Middle Bow. Continue attaching the (1)'s to the Middle Bows and each other until you reach the end. Repeat these steps on the other side. Do not tighten bolts at this time. The bolts at the end will need to be removed when installing the Tarp (door) and Tarp (back). **See Figure 5.**
2. When this portion of the frame is assembled and free standing, move the assembled frame to your desired location using several people.

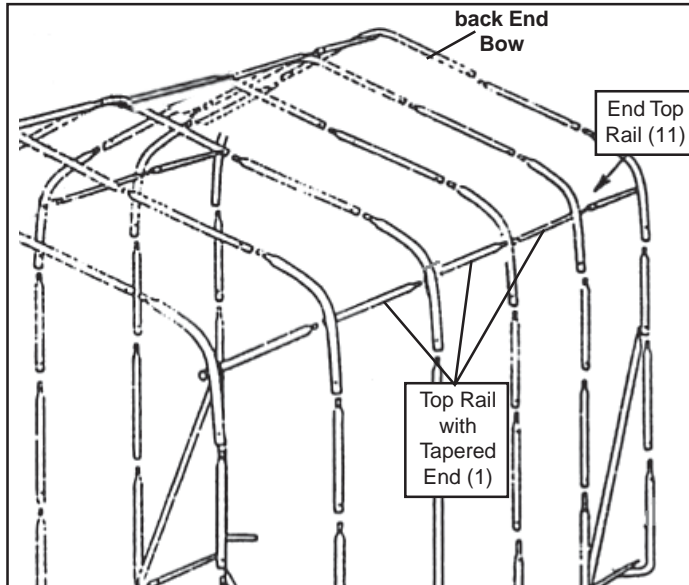


Figure 5

3. The Top Crests (12) are at the top of the assembled Bows. To anchor that portion of the roof to the Bows, attach (11) underneath the (12) on the End Bow using Carriage Bolt (15) and Nut (16). Fit (1) into (11) and connect to the top of the Middle Bow with (15) and (16). Continue connecting to the top until the last Middle Bow. At the end, connect (1) underneath the last (12). **See Figure 6.**

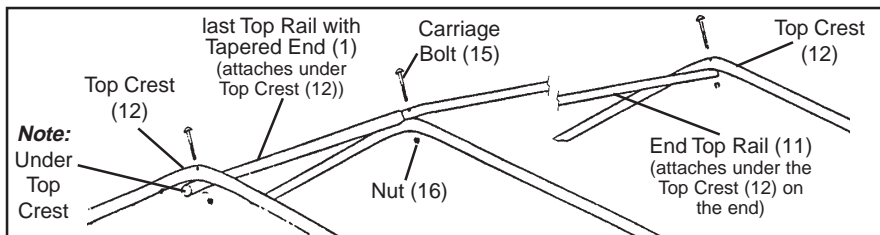


Figure 6

Squaring the Frame

When the RV Shelter frame is assembled, and in its final location, use the Rope (19) to measure the distance between opposite corners, see **Figure 7**. Mark the rope and check the distance of the other two corners; the distance should be the same. If not, adjust the frame until it is.

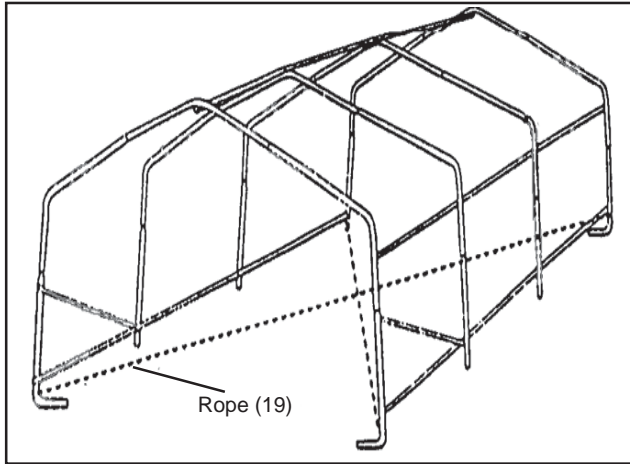


Figure 7

ANCHOR INSTRUCTIONS

1. The RV Shelter needs to be anchored down and the frame needs to be secure. From the inside of the Shelter, place the Anchors with Steel Cable (18) on all four corners. Place the remainder of the Anchors on the inside of the Bows at intervals. **See Figure 8.**

Note: Additional Anchors may be required in windy areas.

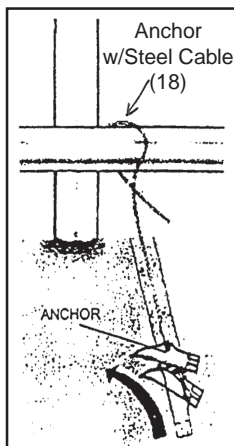


Figure 8

2. If you are installing on asphalt, drill a 1" hole to accept the Anchor through the asphalt.
3. If installing in dirt, drive the Anchor (18) into the soil using a hammer and drive rod (not provided). The more you hammer, the more the Anchor goes into the soil, compacting the soil around it. Remove the drive rod once you have established the proper depth.
4. Pull upwards on the cable, rotating the Anchor into a load lock position. The Anchor cuts into the undisturbed soil.
5. After placing all the Anchors, wrap the Wire Cable from each Anchor, around the Bottom Rails and securely attach it to itself using Clamps (25) (not shown). **See Figure 8.**

TARP DOOR INSTRUCTIONS

Before installing the Tarp Cover (23), install the Tarp Door (21) and Tarp Back Panel (22). The Tarp Door Panel (21) has two zippers in it.

1. At the doorway of the frame, remove the Bolts (14) and Nuts (16) from the three Top Rails (1), top and sides.
2. Place the Tarp Door (21) over the arch of the front End Bow and wrap the material around the arch while bringing the slits to the inside of the frame. Place the Top Rail (1) at the Top Crest (12) into the slit. **See Figure 9.**
3. Once the Top Rails (1) are into the slits on the sides and top, put the Bolts (14) and Nuts (16) back into all the places that they were removed from and tighten them down. **See Figure 9.**

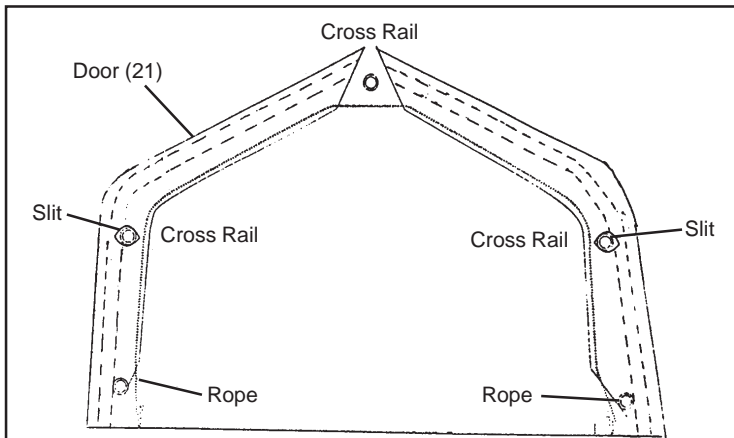


Figure 9

4. Notice the black rope hanging out of the bottom of the Tarp Door (21) on both sides. With two people, wrap the rope under the Corner Feet (4). Both of you are to pull up at the same time to tighten the door. When Tarp Door is snug, tie off the rope to the Corner Feet (4).
5. Attach the side of the Tarp Door (21) to the frame by using the 6 pcs. Ball Tie Downs (24).
6. A pipe (not included, 1-1/4" diameter) can be placed in the pocket at the bottom of each door. This will keep the door straight and it may roll up easier. **Caution must be exercised, using the pipe will make the door heavier.**
7. At the back doorway of the frame, remove the Bolts (14) and Nuts (16) from the three End Top Rails (11), top and sides.

8. Place the Tarp Back (22) over the arch of the back End Bow and wrap the material around the arch while bringing the slits to the inside of the frame. Place the End Top Rail (11) at the Top Crest (12) into the slit. **See Figure 9 on the previous page.**
9. Once the End Top Rails (11) are into the slits on the sides and top, put the Bolts (14) and Nuts (16) back into all the places that they were removed and tighten them down. **See Figure 9.**
10. There are extra slits in the Tarp Back (22) for the Support Braces (10a+b). Repeat the steps as before for the sides with the Support Braces replacing the exact hardware. Tighten. **See Figure 9.**
11. Notice the black rope hanging out of the bottom of the Tarp Back (22) on both sides. With two people, wrap the rope under the Corner Feet (4). Both of you are to pull up at the same time to tighten the door. When Tarp Back is snug, tie of the rope to the Corner Feet (4).
12. Attach the side of the Tarp Back (22) to the frame by using the 6 pcs. Ball Tie Downs (24).

TARP COVER INSTRUCTIONS

1. Position the Tarp Cover (23) face side up, being aware of length and height of RV Shelter frame in reference to the length and width of the Cover. Lie the Tarp Cover along the side of the frame. Fold in half lengthwise. Position the folded Tarp as close to the frame as possible. Attach long ropes (not provided) in holes on each end of the Tarp. These ropes will be used to guide and pull the Tarp Cover (23) over the top of the frame. **Figure 10.**

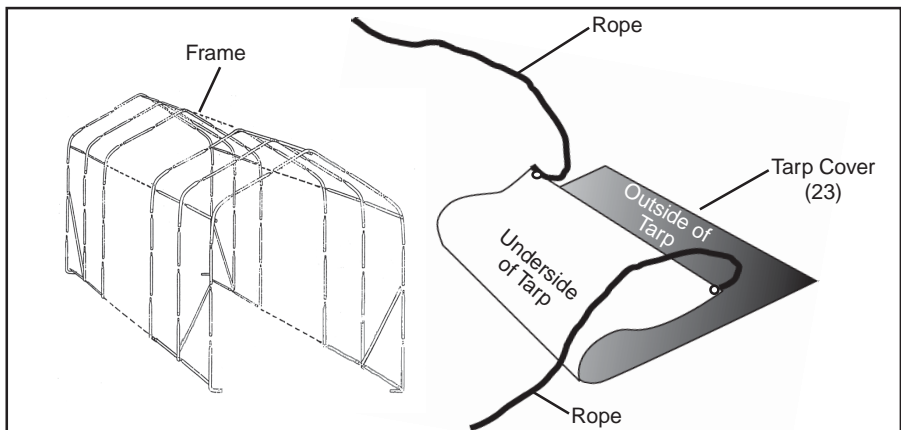


Figure 10

TARP COVER INSTRUCTIONS (continued)

2. Use at least six people to help position the Tarp Cover (23) over the frame. It is suggested to have a person on a ladder at each end of the frame to assist with lifting. For safety, have someone to support the ladder so it will not topple over. Use two to four other people to pull the ropes and shift the Tarp Cover (23) into position. **See Figure 10.**
3. Center the Tarp Cover (23) over the frame. The internal rope should be in the front and rear (outside). The punched holes should be positioned on the inside of the RV Shelter. Center the Tarp Cover on all four sides. **See Figure 11.**



Figure 11

4. Loosen the four Turnbuckles (20). Tie the ropes loosely to the Turnbuckles (20). Check to be sure the Cover is still centered and has the same amount of overlap on the front and the back. **See Dwg. in Figure 13.**
5. The area where the rope comes out of the Tarp Cover (23) should be about 12" from the ground. **See Figure 12.**

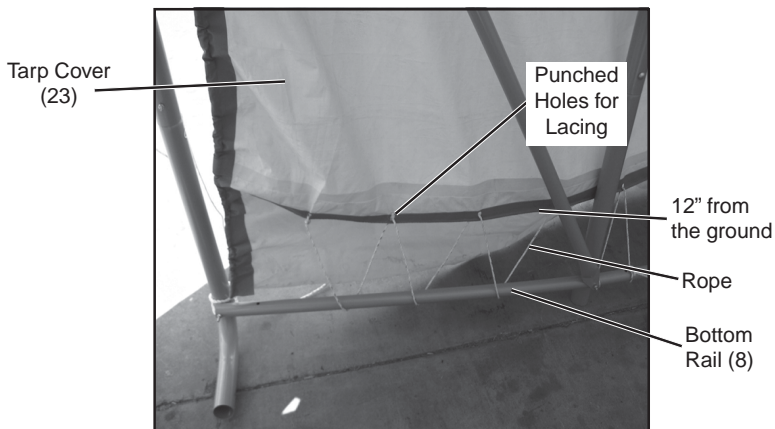


Figure 12

TARP COVER INSTRUCTIONS (continued)

6. Pull the rope tighter, using a few knots to secure to the Turnbuckle (20). Twist the Turnbuckle (20) to tighten the rope. Check monthly & tighten if needed.
See Figure 13.
7. When the Tarp Cover (23) is aligned, fasten the Tarp Cover to the frame using the Rope (19). Start by lacing the end of the Rope through the first punched hole in the Tarp Cover. Pass the Rope under the Bottom Rails (8), Continue down the Shelter, creating a laced effect. When laced to the end, that will be End Bottom Rail (9). Tie off at the end. Work your way back tightening the lacing by pulling the Rope down, creating a snug fit. When you get to the other end, tie off and trim off any extra Rope. **See Figure 12, previous page.**

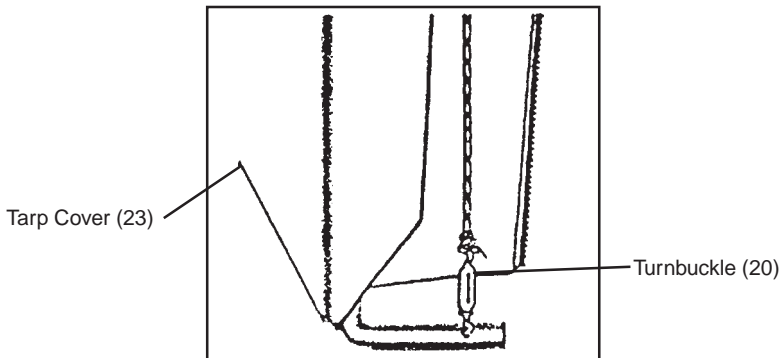
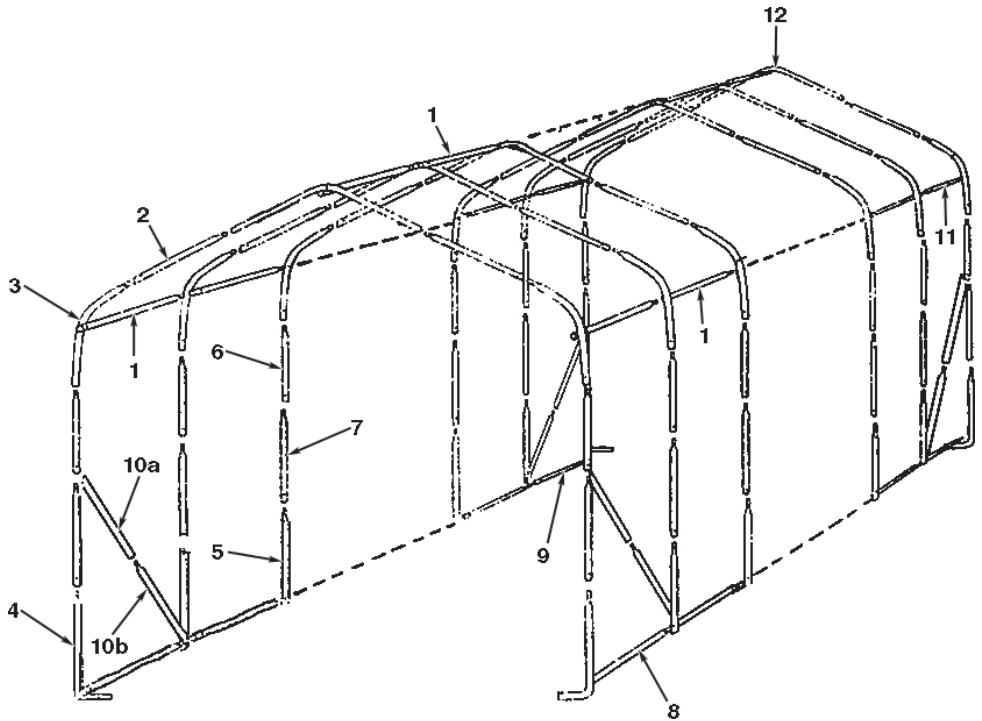


Figure 13

Maintenance

1. Cover can be cleaned with soap & water.
2. For better and safer performance, keep all parts of this product clean and dry.
3. Periodically check to see that all hardware is in place. Check the turnbuckles monthly.

Assembly Drawing



NOTE: Some parts are listed and shown for illustration purposes only and are not available individually as replacement parts.

Parts List

Part	Description	Q'ty
1	Top Rail with Tapered End	27
2	Roof Extension	22
3	Roof Bend	22
4	Corner Foot	4
5	Foot	18
6*	Upper Leg	22
7	Lower Leg	22
8	Bottom Rail with Tapered End	18
9*	End Bottom Rail	2
10a	Upper Support Brace	4
10b	Lower Support Brace (Tapered)	4
11	End Top Rail	3
12	Top Crest	11
13	Bolt (4-1/2")	44
14	Bolt (3")	114
15	Carriage Bolt (4-1/2")	11
16	Nut	169
17	Washer	8
18	Anchor with Steel Cable	12
19	Rope	1
20	Turnbuckle	4
21	Tarp (door)	1
22	Tarp (back)	1
23	Tarp (cover)	1
24	Ball Tie Down	12
25	Cable Clamp	12
*Note: Parts 6 and 9 are distinguished from one another with an underline indicating the bottom of the number.		

PLEASE READ THE FOLLOWING CAREFULLY

THE MANUFACTURER AND/OR DISTRIBUTOR HAS PROVIDED THE PARTS DIAGRAM IN THIS MANUAL AS A REFERENCE TOOL ONLY. NEITHER THE MANUFACTURER NOR DISTRIBUTOR MAKES ANY REPRESENTATION OR WARRANTY OF ANY KIND TO THE BUYER THAT HE OR SHE IS QUALIFIED TO MAKE ANY REPAIRS TO THE PRODUCT OR THAT HE OR SHE IS QUALIFIED TO REPLACE ANY PARTS OF THE PRODUCT. IN FACT, THE MANUFACTURER AND/OR DISTRIBUTOR EXPRESSLY STATES THAT ALL REPAIRS AND PARTS REPLACEMENTS SHOULD BE UNDERTAKEN BY CERTIFIED AND LICENSED TECHNICIANS AND NOT BY THE BUYER. THE BUYER ASSUMES ALL RISK AND LIABILITY ARISING OUT OF HIS OR HER REPAIRS TO THE ORIGINAL PRODUCT OR REPLACEMENT PARTS THERETO, OR ARISING OUT OF HIS OR HER INSTALLATION OF REPLACEMENT PARTS THERETO.

Postadress:

TRÄDGÅRDSTEKNIK AB
Helsingborgsvägen 578, Varalöv
262 96 ÄNGELHOLM

Telefon : 0431-222 90
Bg.nr : 5743-7980
Org.nr : 556409-6120

URL:

www.tradgardsteknik.se
E-postadress:
info@tradgardsteknik.se